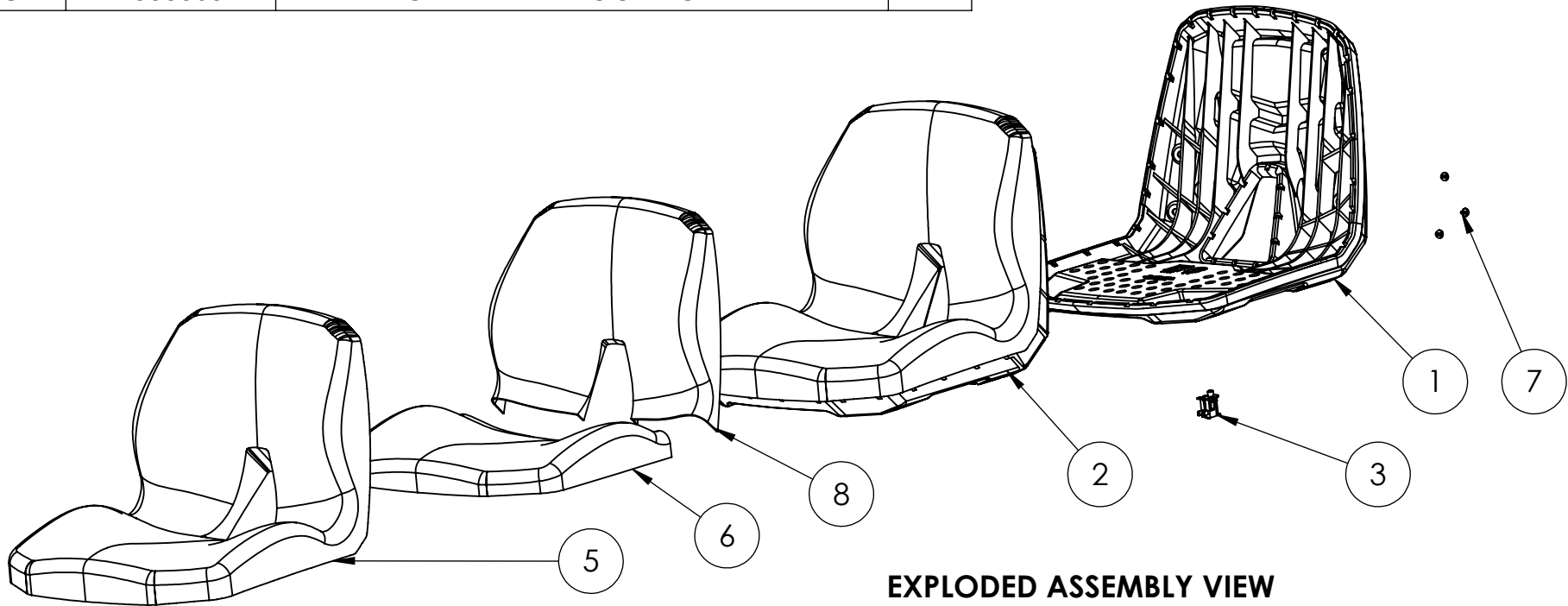


ITEM NO.	PART NUMBER	DESCRIPTION	QTY.
1	120FRM-1	SK120 FRAME W/LOWER T-NUTS WITH HOLES FOR ARM MOUNTS	1
2	2000504	SK120 SEAT FOAM	1
3	TBD	MULTIPLE SEAT SWITCH OPTIONS	1
5	TBD	SEAT KING SK120 COVER	1
6	4000365	ZONE WATERPROOFING 2 MIL	1
7	4000353	PLASTIC PLUG FOR 100 SERIES FRAMES	6
8	4000365	ZONE WATERPROOFING 2 MIL	1



EXPLODED ASSEMBLY VIEW

REVISIONS			
REV. LETTER	DATE	DISCRIPTION	BY
			CHK

DWG NO	DATE	DESCRIPTION	BY

UNLESS OTHERWISE SPECIFIED
DIMENSIONS ARE IN INCHES

*OVERALL SEAT DIMESNIONS = +/- 0.5
 X.X = +/- 0.10
 X.XX = +/- 0.050
 X.XXX = +/- 0.0030

FRACTIONS = (REF)

PROPRIETARY AND CONFIDENTIAL

THE INFORMATION CONTAINED IN THIS DRAWING IS THE SOLE PROPERTY OF SEAT KING, LLC. ANY REPRODUCTION IN PART OR AS A WHOLE WITHOUT THE WRITTEN PERMISSION OF SEAT KING, LLC. IS PROHIBITED.

CUSTOMER NO.
TBD

DWG DATE DWG BY
2/27/2020 CAM

SK SEAT KING

ITEM DESCRIPTION:
SEAT KING 120 MODEL SEAT

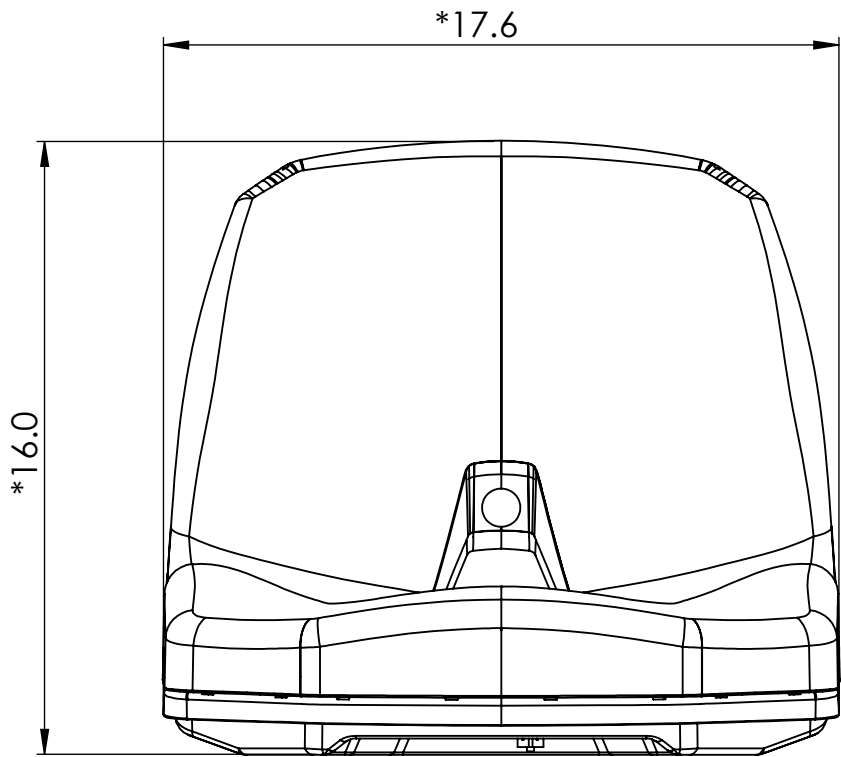
SIZE	ITEM NO.	REV
A	TBD	-

SCALE: 1:50 DWG. NO. 001 SHEET 1 OF 4

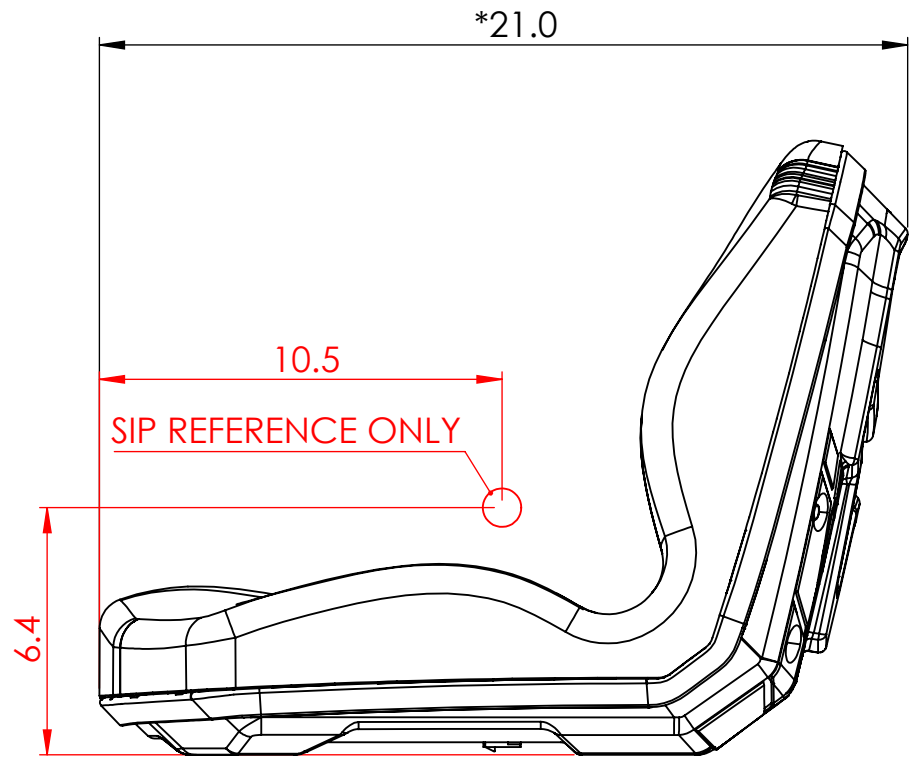
REACH, RoHS COMPLIANT

DO NOT SCALE DRAWING

A TBD REV - DWG NO. 001



FRONT VIEW



LH SIDE VIEW

A TBD REV - DWG NO. 001

PROPRIETARY AND CONFIDENTIAL
 THE INFORMATION CONTAINED IN THIS DRAWING IS THE SOLE PROPERTY OF SEAT KING, LLC. ANY REPRODUCTION IN PART OR AS A WHOLE WITHOUT THE WRITTEN PERMISSION OF SEAT KING, LLC. IS PROHIBITED.



ITEM DESCRIPTION:
SEAT KING 120 MODEL SEAT

CUSTOMER NO.
 TBD

SIZE ITEM NO. REV

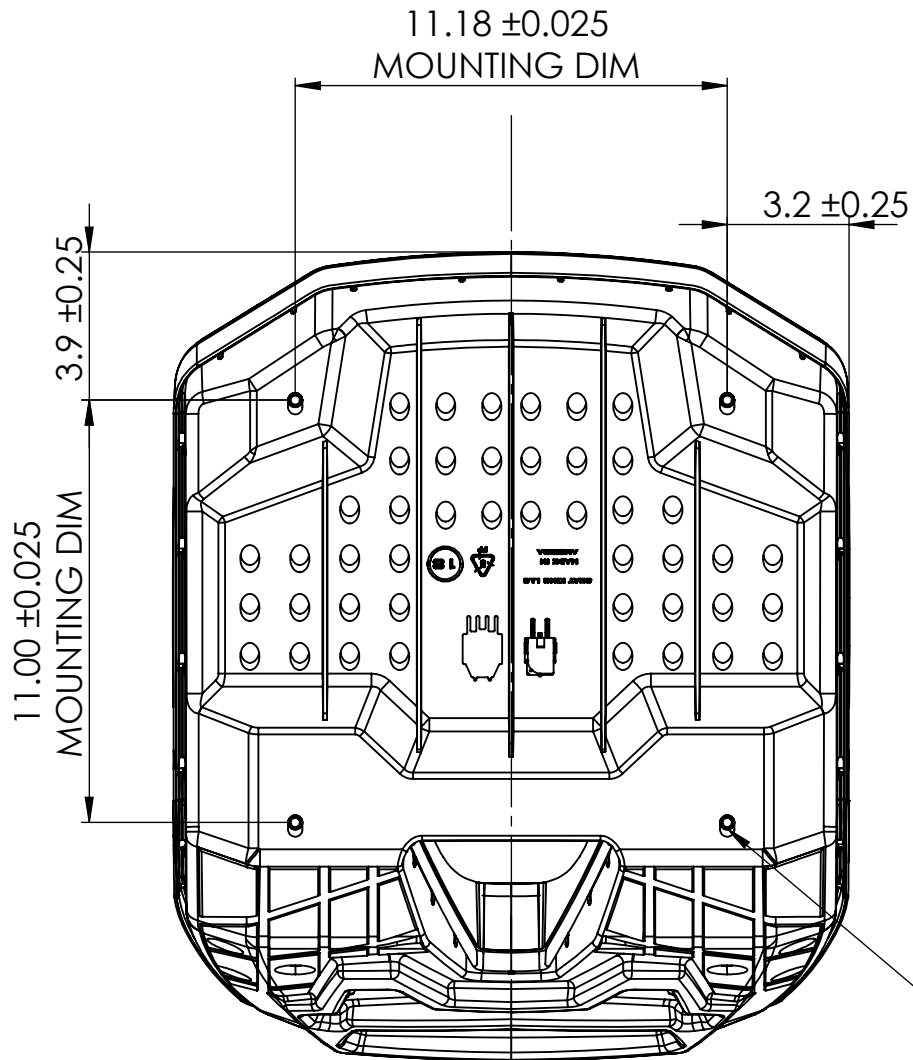
DWG DATE **DWG BY**

A TBD -

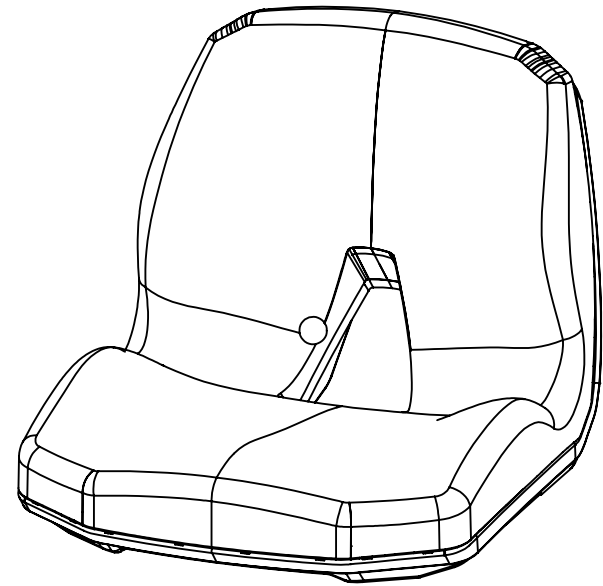
2/27/2020 CAM

SCALE: 1:50 DWG. NO. 001 SHEET 2 OF 4

DO NOT SCALE DRAWING



BOTTOM VIEW



ISOMETRIC VIEW REFERENCE ONLY

5/16"-18 UNC
4 PLACES

PROPRIETARY AND CONFIDENTIAL
THE INFORMATION CONTAINED IN THIS DRAWING IS THE SOLE PROPERTY OF SEAT KING, LLC. ANY REPRODUCTION IN PART OR AS A WHOLE WITHOUT THE WRITTEN PERMISSION OF SEAT KING, LLC. IS PROHIBITED.



ITEM DESCRIPTION:
SEAT KING 120 MODEL SEAT

CUSTOMER NO.
TBD

SIZE ITEM NO.

REV

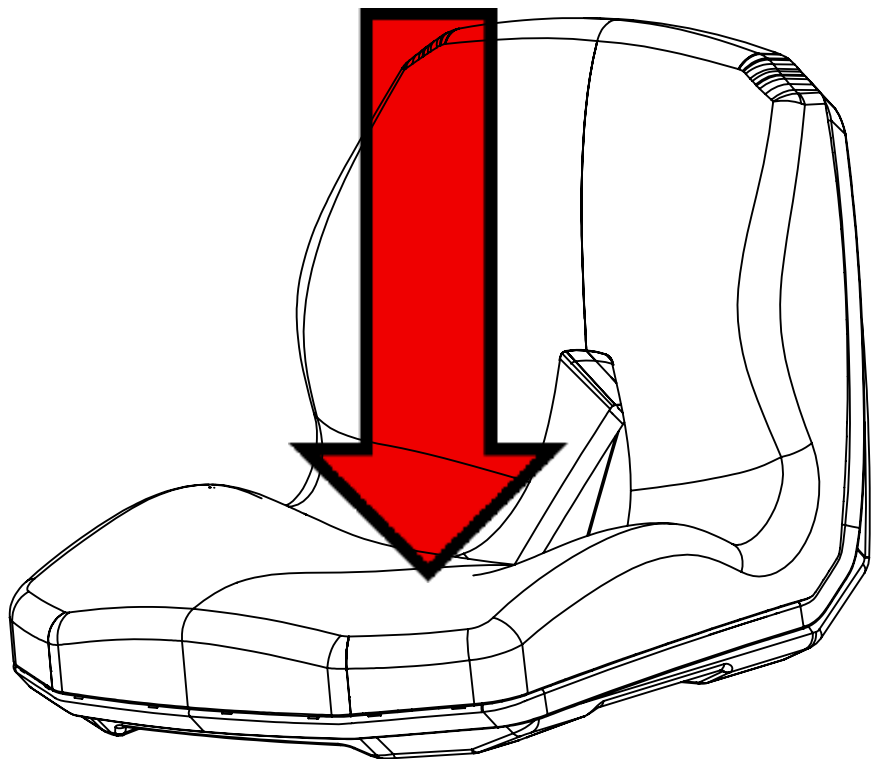
DWG DATE **DWG BY**

A **TBD**

2/27/2020 CAM

SCALE: 1:50 **DWG. NO. 001** SHEET 3 OF 4

DO NOT SCALE DRAWING



SEAT SWITCH FUNCTIONAL REQUIREMENTS

TEST FORCE = 0 LBS				
	PIN 1	PIN 2	PIN 3	PIN 4
PIN 1				
PIN 2	OPEN			
PIN 3				
PIN 4				N/A

TEST FORCE = >=8				
	PIN 1	PIN 2	PIN 3	PIN 4
PIN 1				
PIN 2	CLOSED			
PIN 3				
PIN 4				N/A

SEAT SWITCH FUNCTIONALITY WILL VARY DEPENDING ON TYPE OF SEAT SWITCH INSTALLED.

A TBD REV - DWG NO. 001

PROPRIETARY AND CONFIDENTIAL
 THE INFORMATION CONTAINED IN THIS DRAWING IS THE SOLE PROPERTY OF SEAT KING, LLC. ANY REPRODUCTION IN PART OR AS A WHOLE WITHOUT THE WRITTEN PERMISSION OF SEAT KING, LLC. IS PROHIBITED.



ITEM DESCRIPTION:

SEAT KING 120 MODEL SEAT

CUSTOMER NO. TBD		SIZE	ITEM NO.	REV
DWG DATE	DWG BY	A	TBD	-
2/27/2020	CAM	SCALE: 1:50 DWG. NO. 001 SHEET 4 OF 4		

DO NOT SCALE DRAWING